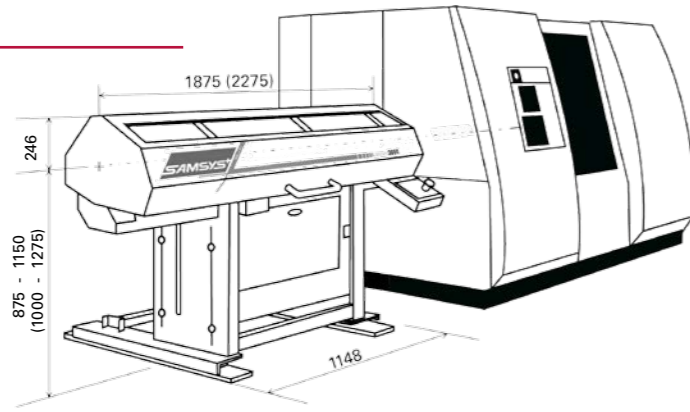


MULTI-3000

A CLEVER AND PROFITABLE INVESTMENT



Samsys SA CH-2606 Corgémont, Switzerland
 Tél. +41 32 488 33 88 Fax +41 32 488 33 99 E-mail: sam@samsys.eu www.samsys.eu
 Büro Deutschland: Böhmstraße 1 / Industriegebiet, DE - 98544 Zella-Mehlis
 Tel.: +49 3682 452 196 Fax: +49 3682 452 198 E-mail: sam@samsys.eu www.samsys.eu



6 good reasons to run short bars

- ✓ Reduction of mass in movement.
- ✓ Material guiding in the Spindle enables to utilize full lathe performances.
- ✓ Increase spindle life time.
- ✓ Easy material handling.
- ✓ No bar chamfering.
- ✓ Reduction in ambient noise.

6 good reasons to choose

MULTI-3000

- ✓ A simple, precise and proven concept.
- ✓ Unique, fast and smooth reload cycle.
- ✓ Easy handling and operating units, simple and fast on change over.
- ✓ Multipurpose, reload your round and profiled bars; swiftly change to shaft work if required.
- ✓ Maintenance free, due to its 100 % electronic control for reloading and feeding.
- ✓ Environmental friendly.

Specifications MULTI-3000

Capacity	round bars hex bars square bars bar length	5 to 55 / 65 / 80 mm 5 to 47 / 56 / 70 mm on request 150 up to 1240 / 1640 mm restricted to spindle length
Safety	electrical conformity sealing, waterproofing	EC & EMC EN 60204-1 EN 418 IP 54
Electrical Connections	supply Secondary keyboard, display	200 to 415 VAC 24/5 VDC 4 lines - 20 characters LCD backlit
Language	programming operator menu	IEC 1131-3 5 languages
Loading system	material selection material feed	reduction gear motor Servo drive
Fast speed	for pusher pusher carriage guide way	60m/min. on bearings hardened
Material positioning	at material loading at material feed	± 0.50 mm ³ ± 0.15 mm ³
Textured paint	complete unit	RAL 9018 papyrus white
Net / gross weight		390 / 560 kg

³ Data applies to chuck / collet closing systems by traction tube withdrawal

Origin Produced in Germany

German office

Samsys SA, Böhmstraße 1 / Industriegebiet, DE - 98544 Zella-Mehlis

Tel.: +49 3682. 452 196 • Fax: +49 3682. 452 198 • E-mail: sam@samsys.eu • www.samsys.eu

Distributor



MULTI-3000

100% electrically operated

The MULTI-3000 units are full electrical „Servo-Driven“ operated. No air connection / supply, and are environmental friendly.

Robust, reliable

Pioneers of the „Servo“ bar feeders, MULTI-3000 are high quality units produced in Germany.

Easy handling

Easy access to all elements.
Easy to understand and handle.

Fast

On material reload
On material feeding
On change over and set-up

Efficient

Full „Servo-Driven-magazine“ permits:
- Smooth feeding cycles.
- Optimal automatic control of material feeding.
- Accurate bar positioning without a mechanical stop.

Proven units

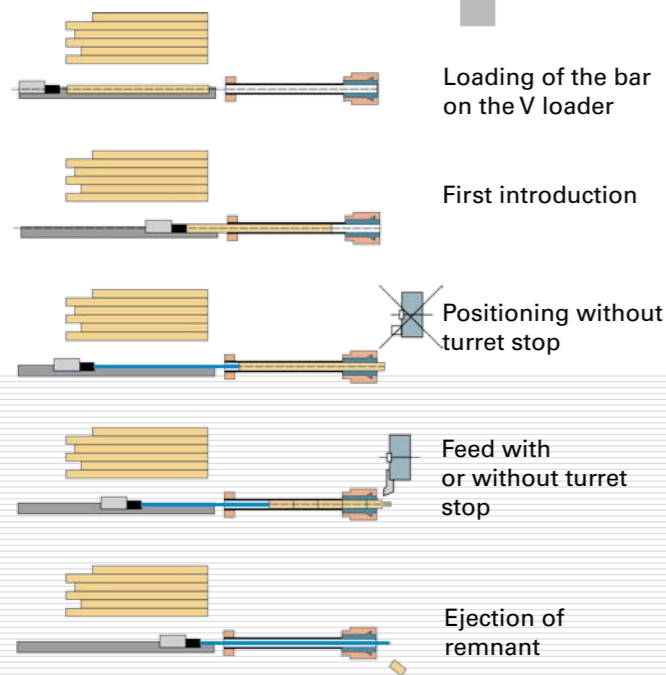
In use world wide since 1998, with over 2000 full electric units running to customer satisfaction, the family of SAMSYS magazine barfeeders are market leader.

MULTI-3000 0606 EN

at the leading edge of technology

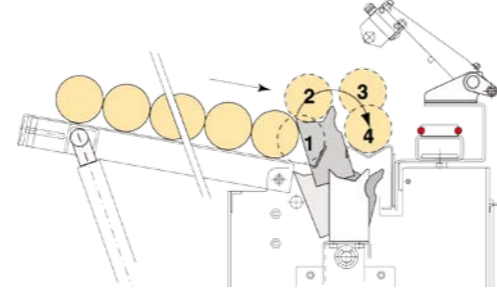
Loading cycle

1



No impact on the bar feeder

2



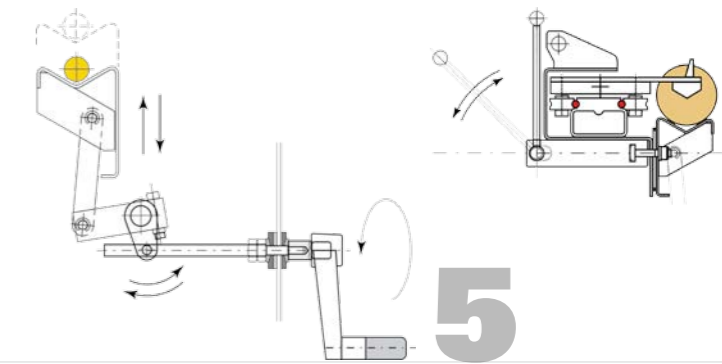
- Unique loading cycle by rotary movement.
- Accurate bar selection.
- Bars stored on the table follow the movement and are retained by the selector grips.
- The selected bar is gently placed on the V loader.

Set-up in 3 minutes

- Unlock and lower V loader.
- Replace spindle reduction sleeve.
- Raise V loader, center new bar, lock V loader.
- Adjust loading grippers according to the new bar.
- Enter part parameters.

Front access to all main elements and adjustments

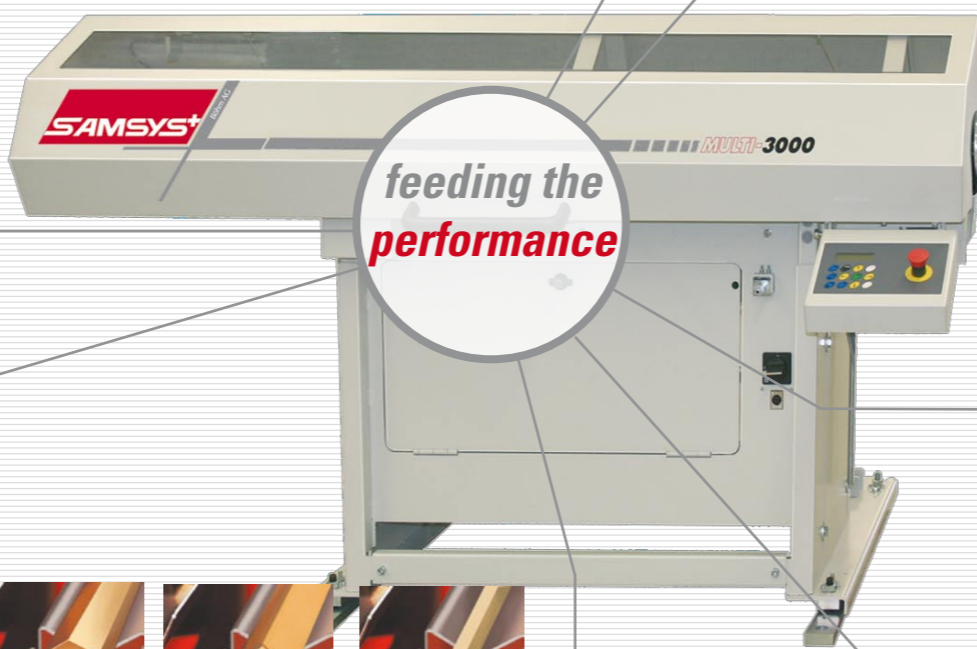
Easy change of spindle reduction sleeve up to Ø 120 mm without retracting barfeeder !



5

No impact on the lathe

- V loader remains fixed and perfectly aligned with the lathe spindle during the barfeed cycle.
- No risk of impact by the bar on the lathe clamping cylinder.
 - The "Servo" permits accurate positioning of the bar without turret stop.



6

User friendly key-board

Easy to handle and understand, all functions are controlled with only 12 input buttons.

High performance electronic control

The control developed by SAMSYS will simplify use. Its interactive editor permanently displays:

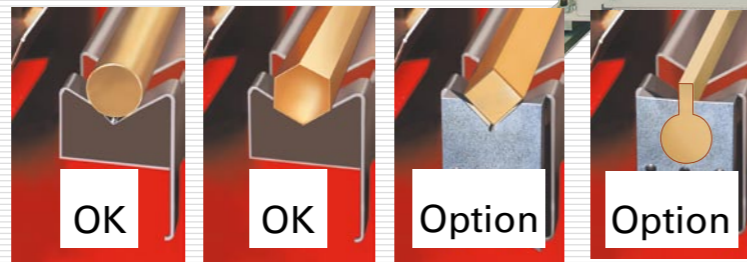
- Position and status.
- Signals received and sent.

Its self-diagnosis system permits easy rectification of any problem.

3 MULTI-3000

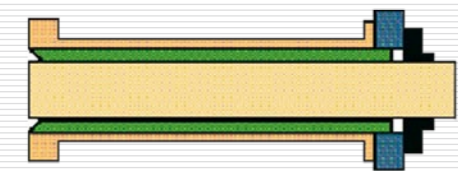
MULTI-profile V-loader

Change from round to profiled bars without changing the channel.



High speed machining

7

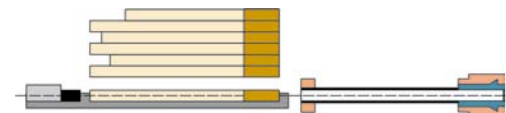


Material guiding in the spindle by reduction sleeves allows precision machining at high speed.

No bar chamfering

No need to chamfer your bars, only deburr.

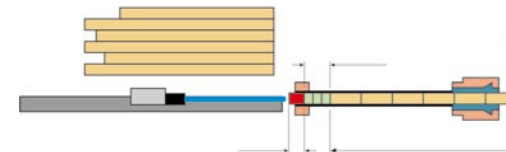
Multipurpose



Automatic reload of the bars and shafts, with MULTI-3000 is just a simple question of parameter alteration.

4

Minimize your bar remnant



MULTI-3000 accomodates bars of varying lengths to be loaded succussfully and minimize remnant length.



Assistance

A world wide distributor and service supports our products.



YOUR BENEFITS

- Automated production
- Productivity increase
- Manufacturing costs reduction